



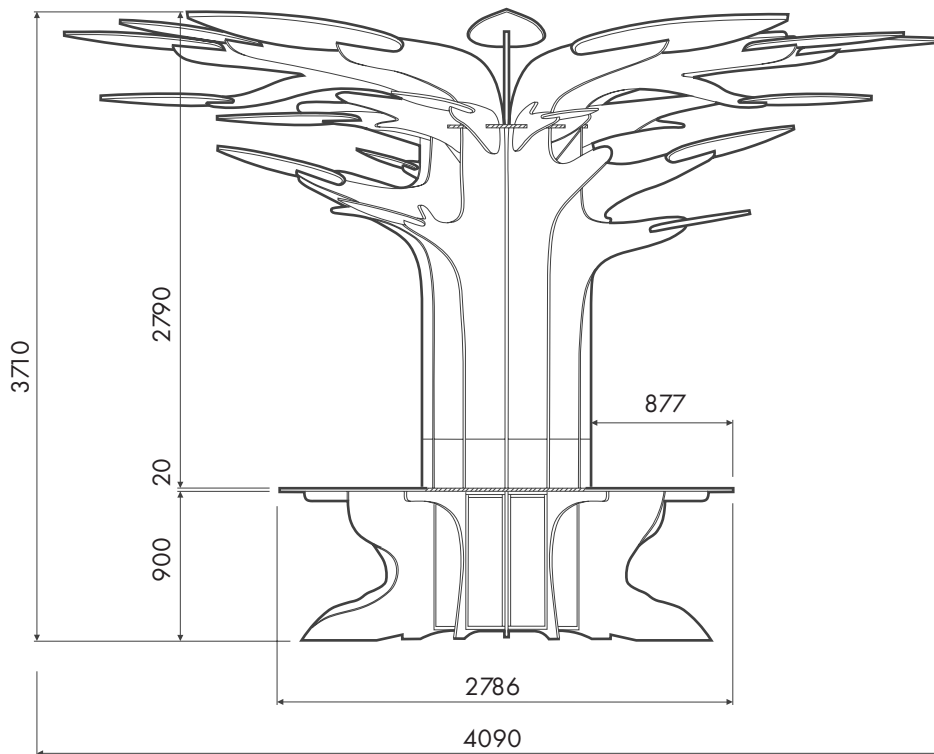
# Treedom

Product by LSG



# TREEDOM MODEL 3

0508 476 227  
 inspire@lsg.co.nz  
 lsg.co.nz



## ESTABLISHED LEARNING AND WELLNESS BENEFITS INCLUDE;



Biophilic Tree design brings the outdoors indoors to enhance the natural learning environment and helps children connect with our natural surroundings.



Increases warmth and natural atmosphere in learning spaces to help children feel more inclusive.



Power outlets and USB power to allow for device charging flush mounted in a vertical surface for easy and safe usage.



Reduces harsh noises from reverberation around the large open spaces, ideal for quiet zones, ILE areas, libraries, and collaboration spaces.



Promotes collaboration, togetherness and unity, and provides a 'Go to place' for those needing support.



PureMatte High Performance HPL benchtop, Scratch, Stain Resistant, Chemical Resistant. Food Grade, anti-Fingerprint, Baterial Technology.



Encourages a greater sense of wellness and calmness amidst overstimulated environments and spaces.



Strong and Durable European birch plywood construction, perfect for high-use environments



Warm 3W LED lighting to uplight trunk (IP55 rated) contributing significantly to overall ambiance, comfort and hospitality of a space.

